

POWERFUL PERFORMANCE WITH MAXIMUM FLEXIBILITY

The cutting edge CytoFLEX flow cytometer offers built-in configuration flexibility, superior sensitivity and resolution, and powerful performance that helps you get the most of your multicolor analysis. Its compact size, lower operating costs, and low maintenance make it the ideal cytometer for any research lab.

The CytoFLEX's patent-pending technology offers uncompromising performance and easy expansion up to 3 lasers and 13 colors, allowing you to buy what is necessary today and upgrade to what will be required tomorrow.

To learn more visit www.beckmancoulter.com

Sign up to receive updates on new applications and opportunities to save and advance your research today.

Check with your local sales rep for availability in your area.

Sensitivity

FITC: <30 MESF-FITC

PE: <10 MESF-PE

Resolution

<300 nm with SSC and <200 nm with VSSC

Acquisition rate

30,000 events per second with
15 parameters

Signal Processing

Fully digital system with
7 decades dynamic range

Dimensions (W x D x H) Cytometer

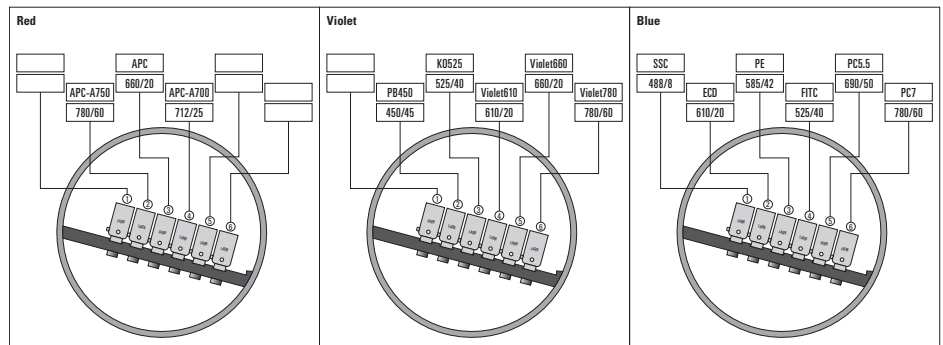
42.5 cm x 42.5 cm x 32 cm

16.7 in x 16.7 in x 13.4 in

Adaptive Flexibility – Fitness for Your Lab

Flexibility to easily upgrade to higher capability that translates into higher quality data with better population identification.

- ☑ **FLEX** – Choose up to 15 parameters with 21 configurations options to adapt to your application needs
- ☑ **Stretch** – Easy upgradeability affords investment protection for every budget
- ☑ **Trim** – Compact design fits easily on a bench top or a standard biosafety cabinet

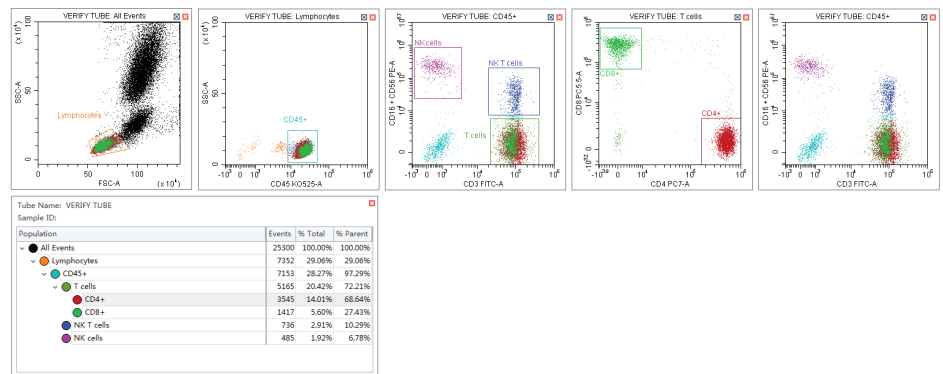


Configuration flexibility for up to 5 colors for the blue laser, 3 colors from red and 5 from violet

Drive the Direction of Your Research

CytoFLEX delivers excellent performance in all fluorescence measurements and nanoparticle scatter resolution.

- ☑ **Accelerate** – Patent pending integrated optics and detection modules increase resolution and sensitivity to get you more precise data for even the most challenging applications
- ☑ **Navigate** – Resolve nanoparticles with the novel VSSC parameter and expand into new research areas
- ☑ **Cruise** – Application stability with distortion-free optical base plate and adjustment-free integrated optics for optimal excitation and emission



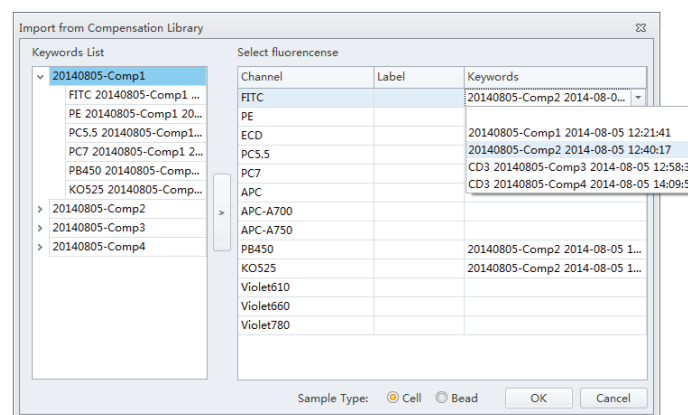
Clearly resolve populations especially dim staining NK and NKT cells with low-noise, highly sensitive optimized detection system

Easy to Use – Visualize Your Success

Simplified system setup, data acquisition, analysis, and export of experimental results are integrated into a complete workflow solution.

- ☑ **Advance** – Intuitive CytExpert software shortens the learning curve and increases your lab's productivity
- ☑ **Empower** – Customer installable and ready to run in minutes out of the box
- ☑ **Champion** – Quickly and easily set up new high color assays with the unique Compensation Library

Together, the CytoFLEX system and CytExpert software brings high performance flow cytometry to a variety of researchers with simple to complex needs.



Virtually build a complex high color compensation matrix with the Compensation Library

fast track to success.



Life Sciences